

tronix

SpeedFire

Camera Flash Power Supply



User's Guide

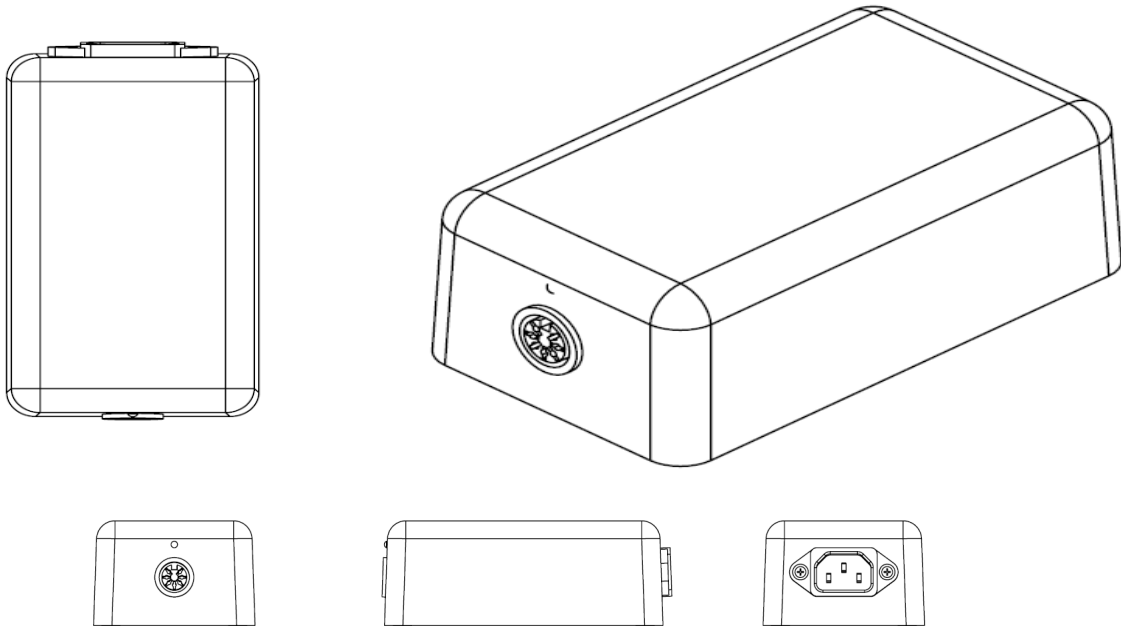
www.innovatronix.com

Storage and Handling Safety Instructions

- ✓ You **MUST** read and understand this user's guide carefully before using the unit.
- ✓ The unit should not be subjected to damage or stress. It should be kept away from being stepped on or tripped over.
- ✓ Do not expose the unit to moisture and liquids.
- ✓ Never touch exposed metal parts such as the contacts in the plugs and sockets as this could cause an electric shock.
- ✓ Never leave the unit unattended when turned ON.
- ✓ Use the unit only for its intended purpose and with the specified flash models.
- ✓ Do not disassemble the unit. Improper alteration or modification can cause the unit to malfunction. It can cause an electric shock and fire as well. In doing this, the warranty is void.
- ✓ Always keep your unit in good working condition.

Tronix SpeedFire User's Guide

The Tronix SpeedFire is an external power supply designed for small shoe-mounted flash units. It converts AC power to high voltage DC power that connects to the flash's external power port. It effectively reduces recycling time and provides an unlimited number of flashes. The Tronix SpeedFire is compatible with top-of-the-line flash units such as the Canon 580EXII and Nikon SB-900.

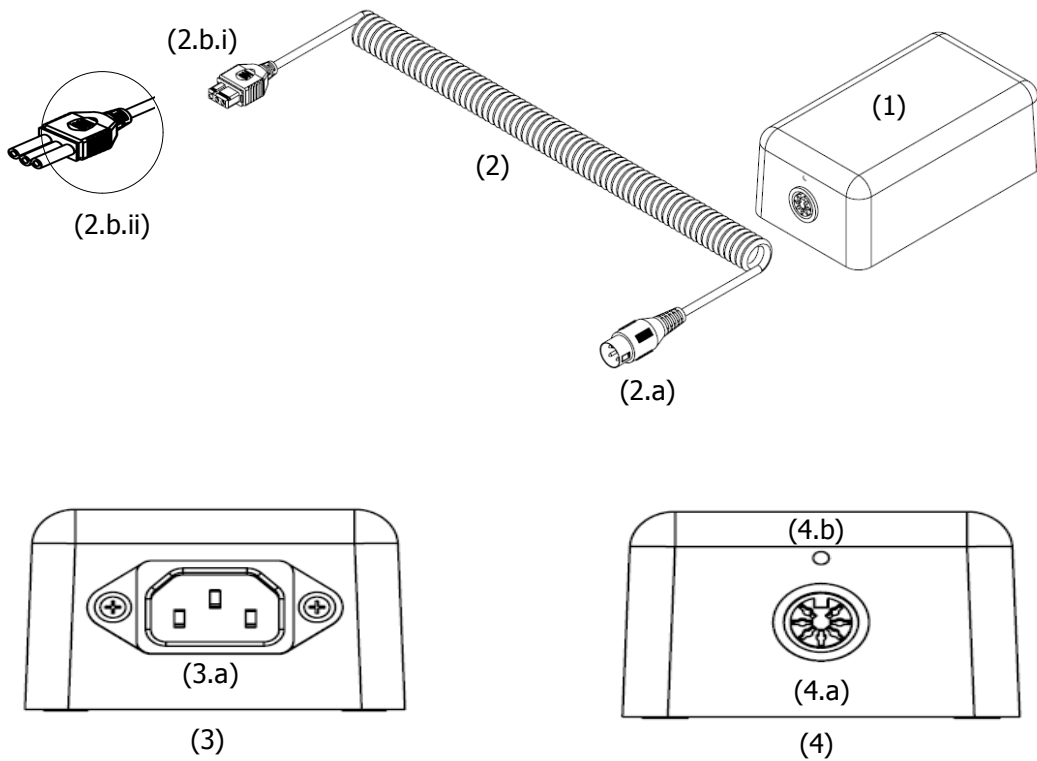


Shipping Materials

The box shipped to you should contain the following materials:

1. (1) Tronix SpeedFire
2. (1) Connector cable (depends on model)
3. (1) AC power cord
4. (1) User's guide
5. (1) Pouch bag

Tronix SpeedFire



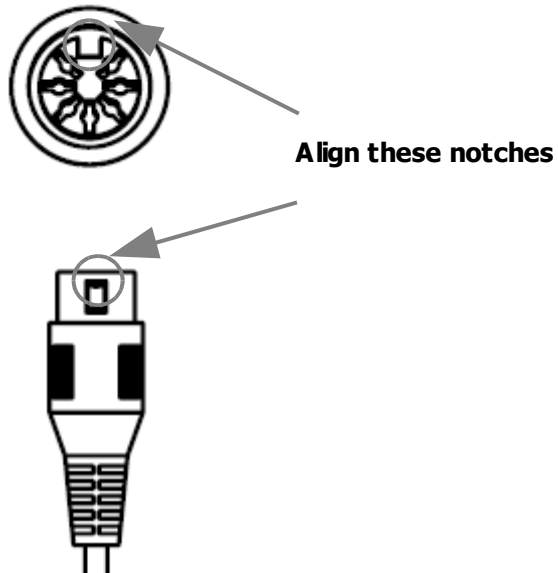
- (1) Tronix SpeedFire
- (2) Connecting Cable/Cord
- (2.a) Connecting plug to Tronix SpeedFire
- (2.b.i) Connecting plug to flash (for Canon model)
- (2.b.ii) Connecting plug to flash (for Nikon model)
- (3) Tronix SpeedFire input side
- (3.a) Input AC socket
- (4) Tronix SpeedFire output side
- (4.a) Output DC socket
- (4.b) LED Indicator

Compatibility List

Tronix SpeedFire Model	Compatible Flash Models
Canon	Canon 580EXII Canon 580EX Canon 550EX Canon 540EZ Canon 430EZ Canon MR-14EX Canon MT-24EX
Nikon	Nikon SB900 Nikon SB800 Nikon SB80DX Nikon SB28DX Nikon SB28 Nikon SB27 Nikon SB26 Nikon SB25 Nikon SB24 Nikon SB20 Nikon SB11 Nikon SB22

Basic Operation

1. Remove the cover of the external high voltage power port of the flash and insert the flash connector plug of the Tronix SpeedFire.
2. Insert the AC power cord into the input AC socket of the Tronix SpeedFire.
3. Plug the AC power cord into an AC wall outlet.
4. Insert the connecting cable to the output DC socket of the Tronix SpeedFire. Be sure to align the notches in the output DC socket of the unit and the plug of the connecting cable. The red LED should light up indicating it provides high voltage power to the flash, recycling it rapidly when fired.



Operation Notes

- The cable of the Tronix SpeedFire serves as the power switch for the output. The Tronix SpeedFire will not turn on unless a cable is plugged to it.
 - The Tronix SpeedFire provides power to the flash to reduce its recycling time. Other functions of the flash such as the LCD display and controls are powered by the internal batteries of the flash.
 - Replace the internal batteries of the flash with fresh ones when the recycling time exceeds 3 seconds.
 - The Tronix SpeedFire allows the flash to fire full power bursts faster than normal and this may cause the flash's temperature to rise rapidly. Allow the flash to cool down for at least 10 minutes after firing 40 continuous full power flashes to avoid any damage to the flash.
 - The Tronix SpeedFire has a thermal shutdown feature. If it gets too hot due to continuous usage, it will shutdown. Allow the unit to cool down in order to restart it.
-

Maintenance

- ✓ Clean the Tronix SpeedFire before and after use.
- ✓ To clean the unit, wipe it with dry cloth. Do not use any liquids or detergents.
- ✓ Return the Tronix SpeedFire to its pouch bag after use.
- ✓ Unplug the Tronix SpeedFire from the AC outlet and from the flash when not in use.
- ✓ Continuous usage may cause the Tronix SpeedFire to heat up. Allow the unit to cool down as not to degrade its performance.

Troubleshooting

Problem	Possible Causes	Solution
Tronix SpeedFire does not turn on. LED indicator is off.	Connecting cable is not plugged properly to the output DC socket..	Reconnect the connecting cable to the output DC socket. Be sure to align the notches on the plug and socket.
	Unit has entered thermal shutdown.	Allow unit to cool down then restart the unit.
	Output has shorted.*	Unplug unit and check external components (cables and sockets) for possible causes of short the short circuit.
Tronix SpeedFire turns on, but flash recycling time is still too long (>3 sec).	Internal batteries of flash have drained. Internal batteries still recycle the flash in parallel to the Tronix SpeedFire.	Replace batteries in the flash.
	Connecting cable is not plugged into the flash.	Plug the connecting cable to the flash and SpeedFire and restart the unit.

***Tronix SpeedFire will enter thermal shutdown if shorted for 5 minutes.**

Technical Specifications

Physical Dimensions

Length : 12.85 cm (5.06 in)
Width : 7.45 cm (2.93 in)
Height : 5.20 cm (2.05 in)
Weight : 282.8 g (9.98 oz)

Cord Lengths

AC power cord: 168 cm (66.1 in)
Flash connector cord (unextended): 41 cm (16.14 in)
Flash connector cord (extended): 300 cm (118 in)

Electrical Characteristics

Input Voltage: 100V – 240V AC
Output Voltage: 330V DC
Output Current: 800mA peak
Output power: 260 W

Performance

Flash Model	Manual Flash Output Level	Recycling Time
Canon 580EXII*	1/64	< 0.05 seconds
	1/32	< 0.05 seconds
	1/16	0.05 seconds
	1/8	0.12 seconds
	1/4	0.23 seconds
	1/2	0.44 seconds
	1/1	0.70 seconds
Nikon SB-900	1/64	< 0.05 seconds
	1/32	< 0.05 seconds
	1/16	0.05 seconds
	1/8	0.09 seconds
	1/4	0.18 seconds
	1/2	0.36 seconds
	1/1	0.92 seconds

***Recycling using internal batteries disabled (C.fun-12 set to 0)**

WARRANTY STATEMENT

The Tronix SpeedFire is covered by a one-year warranty from the date of purchase. From that date, the product should be free of any defect in material and workmanship and it will function in accordance with our stated performance.

Within this period, Innovatronix, Inc. will repair or replace defective parts. This warranty only covers failures due to manufacturing defects and workmanship; hence, breakdown of the unit due to gross abuse and normal wear and tear is not covered.

There are no warranties for use except as stated therein. For unsafe and/or faulty repairs, Innovatronix, Inc. and/or sellers shall not be liable for such cases. Any alterations made to this product by unauthorized service technicians are the sole responsibility of the owner. Our maximum liability for any breach of this agreement or other claim to the use of this product shall not exceed the purchased price of the product by the customer.

Warranty registration is not required. Warranty is applicable if and only if the product is used under normal conditions for its intended purpose.

"Canon" and Canon product names are trademarks or registered trademarks of Canon, Inc.
"Nikon" and Nikon product names are trademarks or registered trademarks of
Nikon Corporation.

Where to Get Help?

You can send your questions 24 hours a day, seven days a week to: customerservice@innovatronix.com . (As much as we wanted to answer your queries as soon as possible, please give us up to 24 hours to reply).

You can call us at: +63 2 661 4108

You can also send your mails at:

**Innovatronix, Incorporated
Km 26, The Richdale Subd.
Sumulong Highway, Sta. Cruz
Antipolo City 1870 Philippines**

Or for more information about the company, please log on to: www.innovatronix.com.

CAUTION

Do not make any changes or modifications to the product unless otherwise specified in this manual. Should there be any changes or modifications made, you could be required to stop the operation of the equipment.

Innovatronix shall not be liable for any damages or problems arising from the use of any options, any accessories or any products other than those designated for the product itself. The customer uses this product at his own risk and Innovatronix and/or the seller will not be held liable under any circumstances for incidental or consequential loss, damage or injury, including but not limited to loss of properties, due directly or indirectly from the use of this product.

All rights reserved. No part of this publication may be copied, duplicated or transmitted in any form or by any means, or otherwise, without prior written permission of Innovatronix, Inc. The info contained herein is designed only for the use with the Tronix SpeedFire. Innovatronix is not responsible for any use of this information as applied to other related products.

Copyrighted 2010 by Innovatronix, Inc.

innovatronix, Inc.

Tel: (+00 63 2) 482 9989 / 482 3098 / 661 4108

Email: customerservice@innovatronix.com

Website: www.innovatronix.com